

# Extendable rotating cleaning nozzle

## PopUp Whirly

### Series 5P2



#### Features:

- Rotating cleaning nozzle extends automatically depending on pressure
- Flush wall installation possible
- Good suitability for cleaning pipes
- Particularly suitable for applications in the pharmaceutical, chemical and food industries



**Function video**  
[www.lechler.com/de-en/medialibrary/videos-general-industry](http://www.lechler.com/de-en/medialibrary/videos-general-industry)  
 Or scan the QR code.

Series 5P2

#### Technical data:



**Maximum operating temperature**  
 140 °C  
 140 °C (ATEX)



**Maximum ambient temperature**  
 150 °C  
 140 °C (ATEX)



**Installation**  
 Operation in every installation position



**Bearing**  
 Slide bearing



**Material**  
 Stainless steel 1.4404 (316L), stainless steel 1.4571 (316Ti), stainless steel 1.4401 (316), FKM



**Weight**  
 500 g



**Surface quality**  
 $Ra \leq 0.8 \mu\text{m}$  on process side, remaining housing  
 $Ra \leq 1.6 \mu\text{m}$



**Surface quality**  
 $Ra \leq 1.6 \mu\text{m}$



**Steam suitability**  
 Not suitable

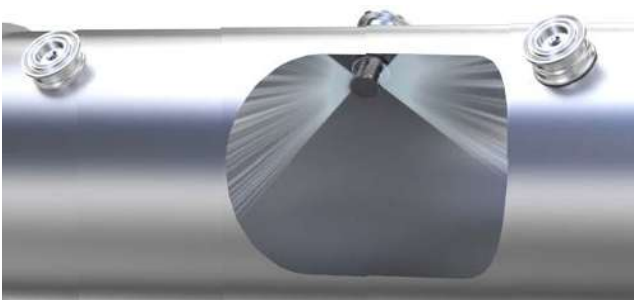


**Recommended filter**  
 Line strainer with mesh size of 0.3 mm/50 mesh

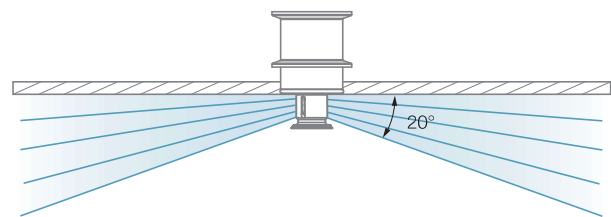


**Recommended operating pressure**  
 2 bar  
 Opening pressure approx. 1.0 bar, closing pressure approx. 0.5 bar

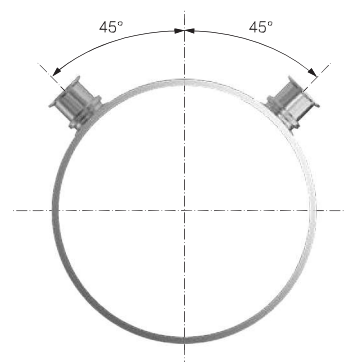
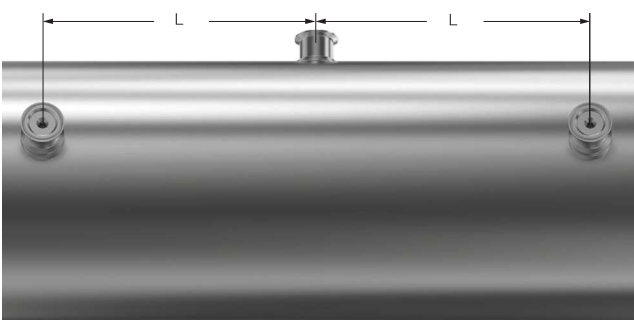
#### Installation example



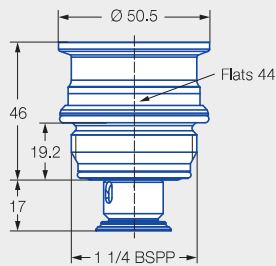
#### Spray distribution



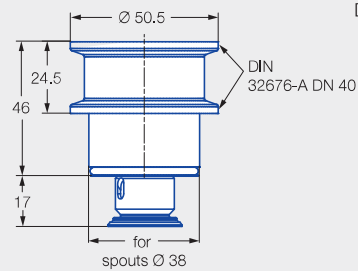
#### Recommendation for nozzle positioning



Type	Nozzle spacing L [m]
5P2.873	0.8
5P2.923	1.0



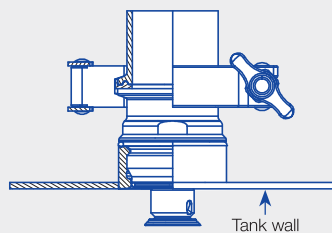
Male thread



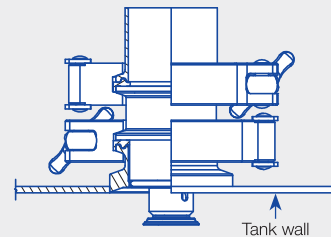
Tri-Clamp connection

Dimensions in mm.

### Installation situation



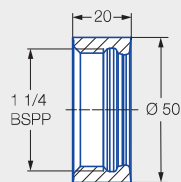
Male thread



Tri-Clamp connection

### Weld-in socket for threaded connection

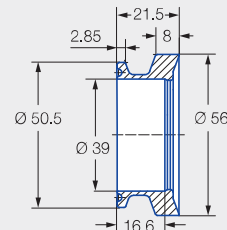
The thread is hygienically encapsulated with two O-rings (included in the scope of delivery of the PopUp Whirly).



Ordering no.: 050.020.1Y.AQ.00  
Material: Stainless steel 1.4404 (316L)

### Weld-in flange for Tri-Clamp connection

A joint clamp in accordance with DIN 32676-A DN40 with a connection diameter of 50.5 mm is required for connection of the nozzle at the weld-in flange. A gasket with a thickness of 2 mm is required if the flange is used in combination with the PopUp Whirly.



Ordering no.: 050.020.1Y.01.00  
Material: Stainless steel 1.4404 (316L)

Spray angle	Ordering no.			Narrowest cross-section $\varnothing$ [mm]	$\dot{V}$ water [l/min]			$\dot{V}$ water at 2 bar [m <sup>3</sup> /h]
	Type	Connection on tank wall			p [bar] (p <sub>max</sub> = 6 bar)			
		1 1/4 BSPP male	Tri-Clamp		1.0	2.0	3.0	
20° 	5P2.873.1Y	AP	00	2.5	11	15	18	0.9
	5P2.923.1Y	AP	00	3.5	14	20	25	1.2

### Information on operation

The PopUp Whirly is not suitable for operation with compressed air or another gas. Use above the recommended pressure will have a negative influence on the cleaning result and wear.

### Ordering example with FDA and (EC) 1935/2004 conformity.

All materials are suitable for contact with food.



Type + Connection = Ordering no.  
5P2.873.1Y + AP = 5P2.873.1Y.AP

### Ordering example with ATEX approval. FDA and (EC) 1935/2004 conformity.



Unit group/Category/Zones:

Ex II 1G Ex h IIB T6...T3 Ga

Ex II 1D Ex h IIIC T85 °C...T170 °C Da

Type + Connection + ATEX = Ordering no.  
5P2.873.1Y + AP + EX = 5P2.873.1Y.AP.EX

# Extendable rotating cleaning nozzle

## PopUp Whirly

### Series 5P3



#### Features:

- Rotating cleaning nozzle extends automatically depending on pressure
- Flush wall installation possible
- Good suitability for cleaning pipes
- Particularly suitable for applications in the pharmaceutical, chemical, food and beverage industries



**Function video**  
[www.lechler.com/de-en/medialibrary/videos-general-industry](http://www.lechler.com/de-en/medialibrary/videos-general-industry)  
 Or scan the QR code.

Series 5P3

#### Technical data:



**Maximum operating temperature**  
 140 °C  
 140 °C (ATEX)



**Maximum ambient temperature**  
 150 °C  
 140 °C (ATEX)



**Installation**  
 Operation in every installation position



**Bearing**  
 Slide bearing



**Material**  
 Stainless steel 1.4404 (316L), stainless steel 1.4571 (316Ti), stainless steel 1.4401 (316), FKM



**Weight**  
 660 g



**Surface quality**  
 $Ra \leq 0,8 \mu m$  on process side, remaining housing  
 $Ra \leq 1,6 \mu m$



**Surface quality**  
 $Ra \leq 1,6 \mu m$



**Steam suitability**  
 Not suitable

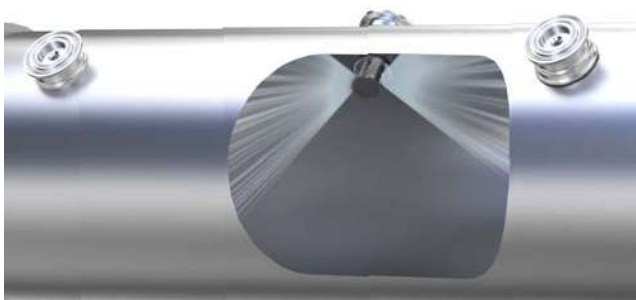


**Recommended filter**  
 Line strainer with mesh size of 0.3 mm/50 mesh

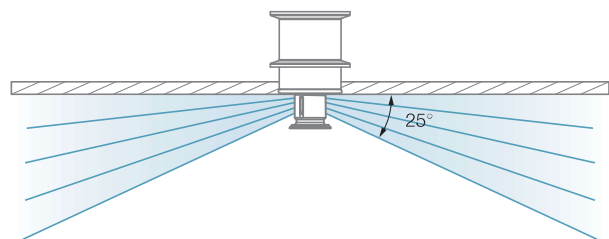


**Recommended operating pressure**  
 2 bar  
 Opening pressure approx. 0.9 bar, closing pressure approx. 0.5 bar

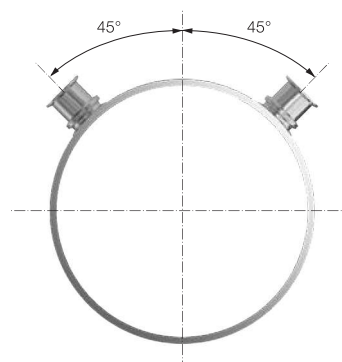
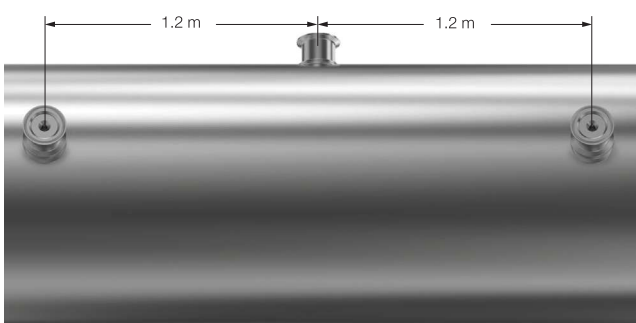
#### Installation example

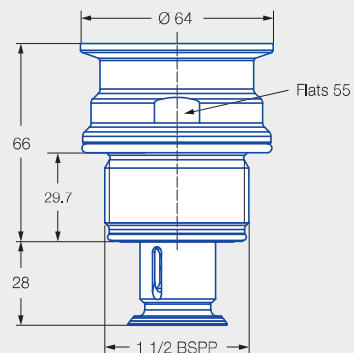


#### Spray distribution

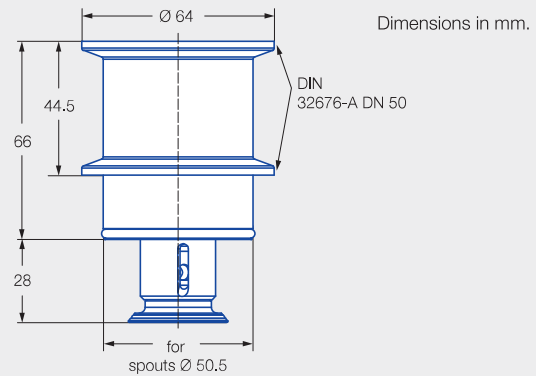


#### Recommendation for nozzle positioning





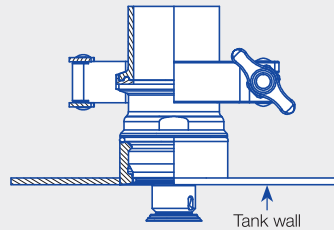
Male thread



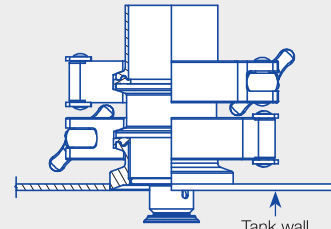
Tri-Clamp connection

Dimensions in mm.

### Installation situation



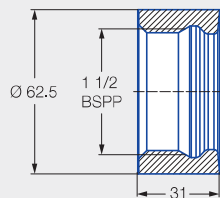
Male thread



Tri-Clamp connection

### Weld-in socket for threaded connection

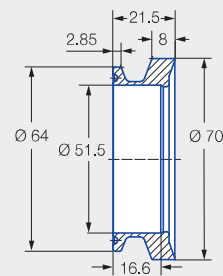
The thread is hygienically encapsulated with two O-rings (included in the scope of delivery of the PopUp Whirly).



Ordering no.: 050.020.1Y.AS.00  
Material: Stainless steel 1.4404 (316L)

### Weld-in flange for Tri-Clamp connection

A joint clamp in accordance with DIN 32676-A DN50 with a connection diameter of 64.0 mm is required for connection of the nozzle at the weld-in flange. A gasket with a thickness of 2 mm is required if the flange is used in combination with the PopUp Whirly.



Ordering no.: 050.020.1Y.01.01  
Material: Stainless steel 1.4404 (316L)

Spray angle	Ordering no.			Narrowest cross-section $\varnothing$ [mm]	$\dot{V}$ water [l/min]			$\dot{V}$ water at 2 bar [m <sup>3</sup> /h]
	Type	Connection on tank wall			p [bar] ( $p_{max} = 6$ bar)			
		1 1/2 BSPP male	Tri-Clamp		1.0	2.0	3.0	
25° 	5P3.043.1Y	AR	00	3.3	28	40	49	2.4

### Information on operation

The PopUp Whirly is not suitable for operation with compressed air or another gas. Use above the recommended pressure will have a negative influence on the cleaning result and wear.

### Ordering example with FDA and (EC) 1935/2004 conformity.

All materials are suitable for contact with food.



Type + Connection = Ordering no.  
5P3.043.1Y + AR = 5P3.043.1Y.AR

### Ordering example with ATEX approval. FDA and (EC) 1935/2004 conformity.

Unit group/Category/Zones:

Ex II 1G Ex h IIB T6...T3 Ga

Ex II 1D Ex h IIIC T85 °C...T170 °C Da



Type + Connection + ATEX = Ordering no.  
5P3.043.1Y + AR + EX = 5P3.043.1Y.AR.EX